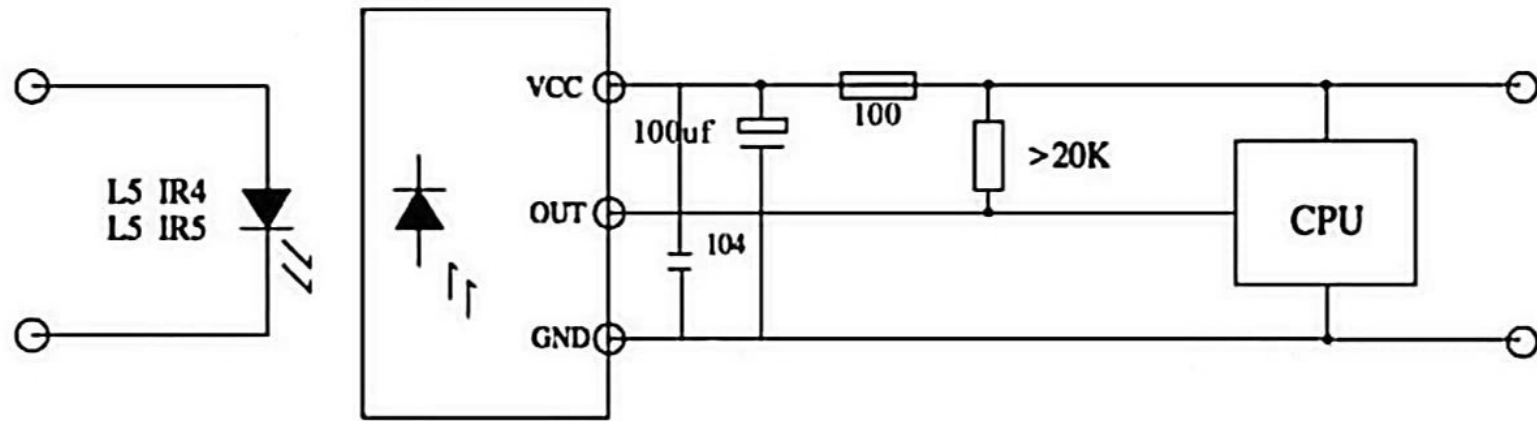


Application Circuit



Schematic Diagram

