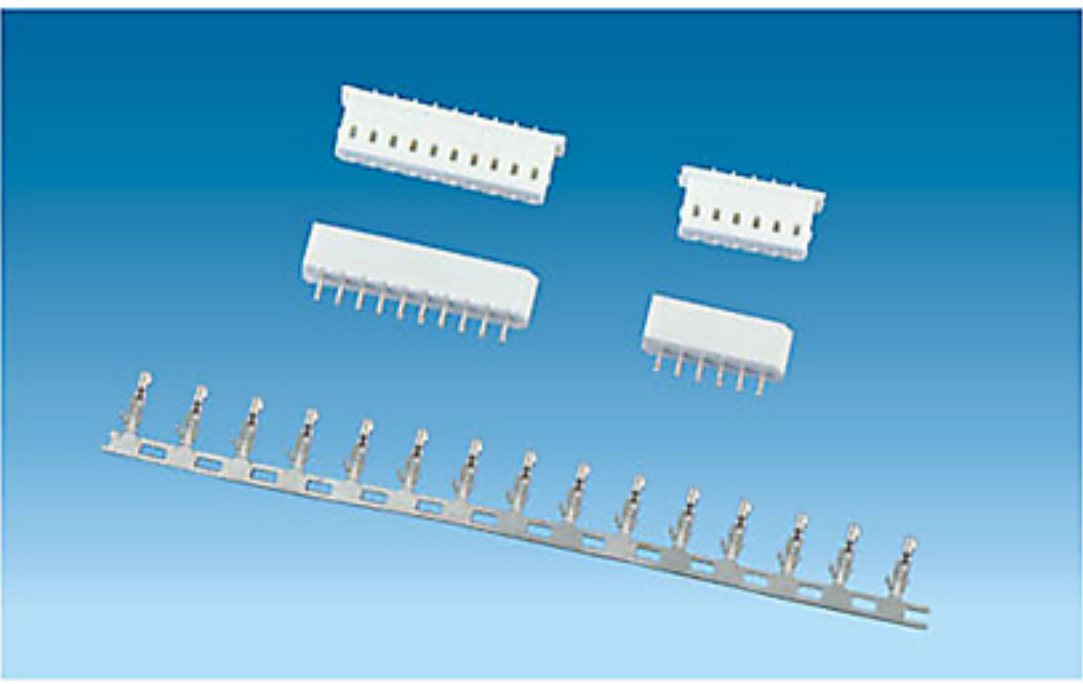


技术参数 SPECIFICATIONS

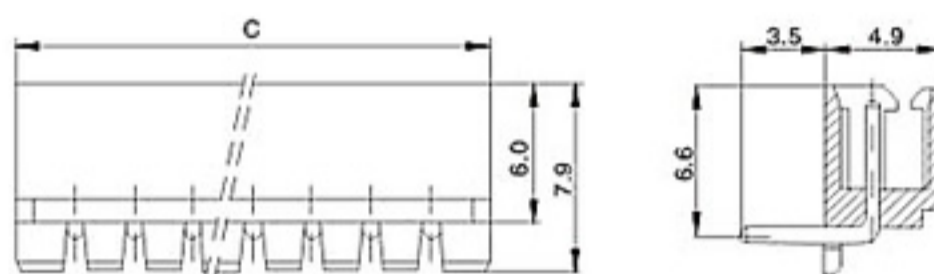
- 线数 (Poles) : 2~15
- 适用线规 (Applicable wires) : AWG26#~22#
- 适用基板厚度 (Applicable PC board thickness) : 1.6mm
- 温度范围 (Temperature range) : -40℃ ~+105℃
- 额定电压 (Voltage rating) : 250V.Ac/Dc
- 额定电流 (Current rating) : 3A
- 接触电阻 (Contact resistance) : $\leq 0.02\Omega$
- 绝缘电阻 (Insulation resistance) : $\geq 1000M\Omega$
- 耐压 (Withstand voltage): 1000V.Ac/1分钟 (Minute)
- 材料 (Material) :
 - 孔座 (Housing) : 尼龙 (Ny lon) UL94V-0
 - 针座 (Wafer) : 尼龙 (Ny lon) UL94V-0
 - 端子 (Terminal) : 磷青铜 (Phos.bronze Tin/plated)



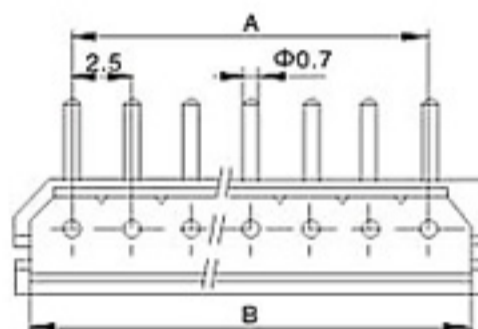
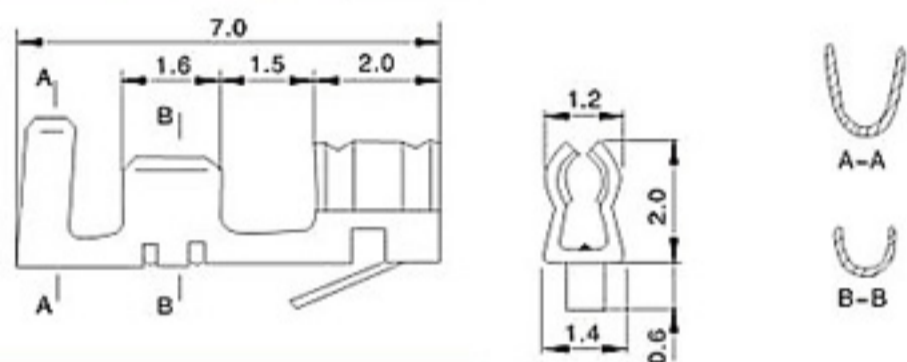
端子 TERMINAL(5263)

型号 Type	适用线规 Applicable wires		电线外径 O.D of wire ins
	mm ²	AWG#	mm
KF25012-PT	0.06-0.33	28-22	1.0-1.7

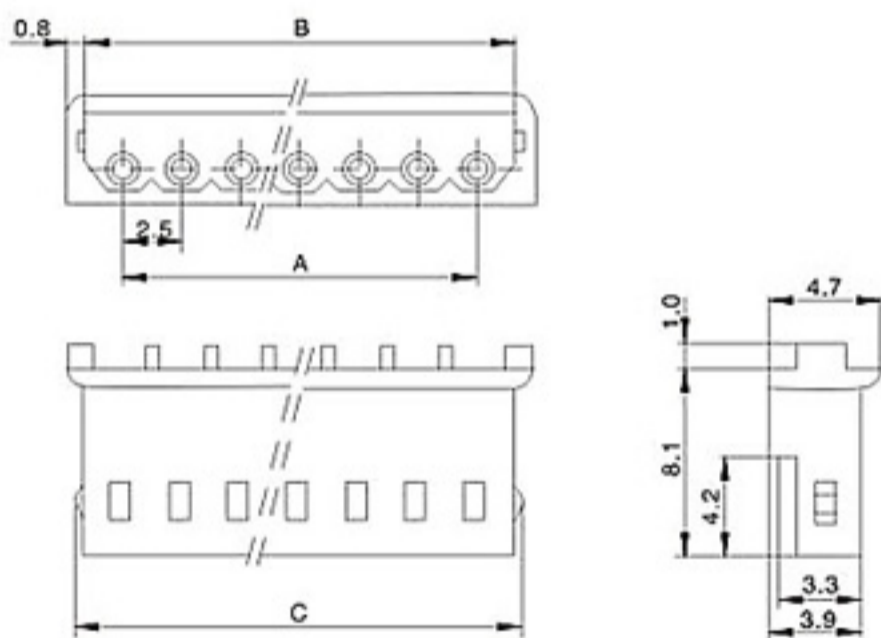
KF25015-WA(5268)



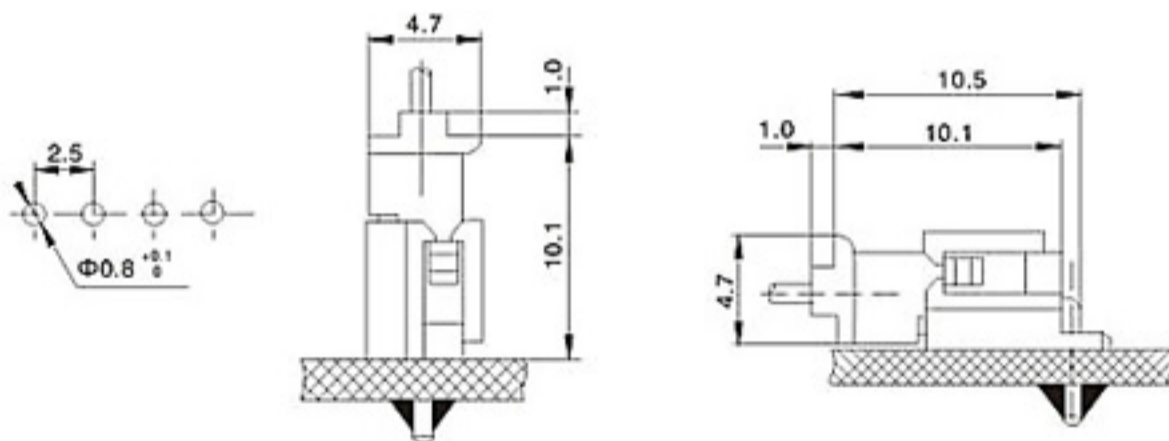
KF25014-PT(5263)



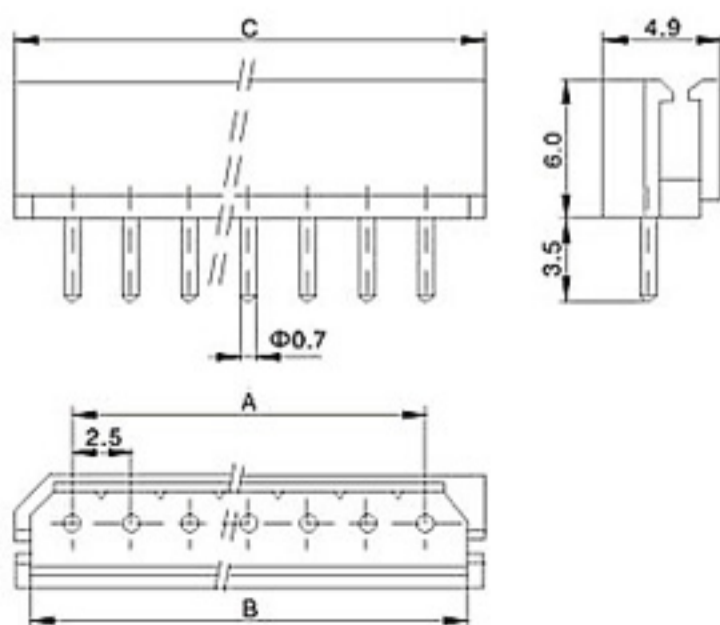
KF25015-Y(5264)



安装尺寸 MOUNTING MEASUREMENT



KF25015-A(5267)



孔座 HOUSING(5264)

线数 Poles	型号 Type	尺寸Dimensions(mm)		
		A	B	C
2	KF25014-2Y	2.5	5.8	6.5
3	KF25014-3Y	5.0	8.3	9.0
4	KF25014-4Y	7.5	10.8	11.5
5	KF25014-5Y	10.0	13.3	14.0
6	KF25014-6Y	12.5	15.8	16.5
7	KF25014-7Y	15.0	18.3	19.0
8	KF25014-8Y	17.5	20.8	21.5
9	KF25014-9Y	20.0	23.3	24.0
10	KF25014-10Y	22.5	25.8	26.5
11	KF25014-11Y	25.0	28.3	29.0
12	KF25014-12Y	27.5	30.8	31.5
13	KF25014-13Y	30.0	33.3	34.0
14	KF25014-14Y	32.5	35.8	36.5
15	KF25014-15Y	35.0	38.3	39.0

针座 WAFER(5267、5268)

线数 Poles	型号Type		尺寸Dimensions(mm)		
	直式(180°)	弯式(90°)	A	B	C
2	KF25015-2A	KF25015-2WA	2.5	6.0	7.5
3	KF25015-3A	KF25015-3WA	5.0	8.5	10.0
4	KF25015-4A	KF25015-4WA	7.5	11.0	12.5
5	KF25015-5A	KF25015-5WA	10.0	13.5	15.0
6	KF25015-6A	KF25015-6WA	12.5	16.0	17.5
7	KF25015-7A	KF25015-7WA	15.0	18.5	20.0
8	KF25015-8A	KF25015-8WA	17.5	21.0	22.5
9	KF25015-9A	KF25015-9WA	20.0	23.5	25.0
10	KF25015-10A	KF25015-10WA	22.5	26.0	27.5
11	KF25015-11A	KF25015-11WA	25.0	28.5	30.0
12	KF25015-12A	KF25015-12WA	27.5	31.0	32.5
13	KF25015-13A	KF25015-13WA	30.0	33.5	35.0
14	KF25015-14A	KF25015-14WA	32.5	36.0	37.5
15	KF25015-15A	KF25015-15WA	35.0	38.5	40.0