

2510 SERIES

2.54 mm PITCH WIRE TO BOARD CONNECTOR

● Specifications

Current rating: 3A AC,DC

Voltage rating: 250V AC,DC

Temperature range: -25° C to +85° C

(including temperature rise)

Contact resistance: Initial value/10 m Ω Max.

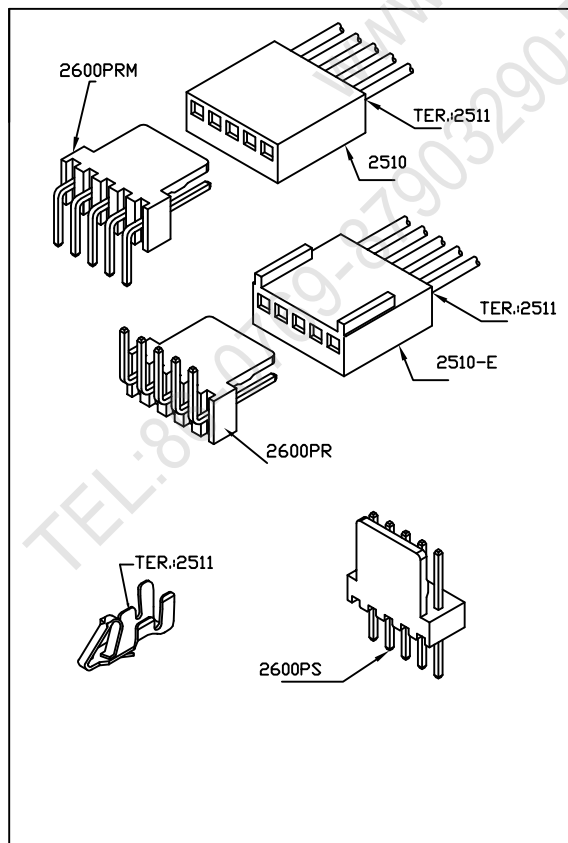
After environmental testing/20m Ω Max.

Insulation resistance: 1000M Ω MIN.

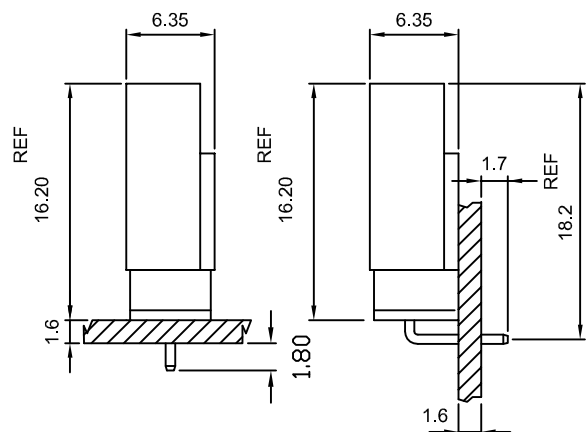
Withstanding voltage: 1000V AC/minute

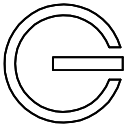
Applicable wire: AWG#22-28

● Standards



Assembly layout



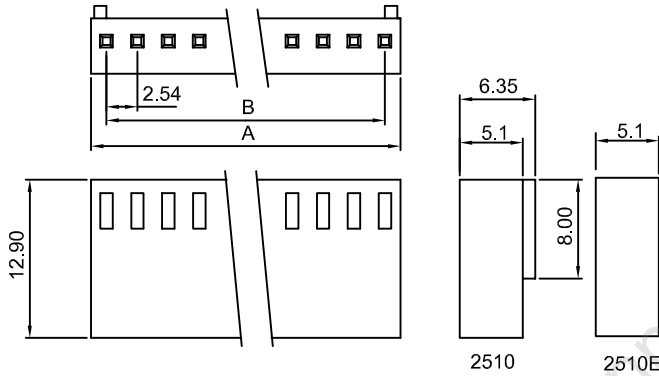


2510 2510E 2.54mm PITCH CRIMP HOUSING

Features:

MAT'L: NYLON 66 UL94V-2
 MATES WITH: 2511 & S2511 SERIES TERMINAL
 ACCEPTS WITH: 2600PS, PR OR PRM SERIES WAFER

unit:mm



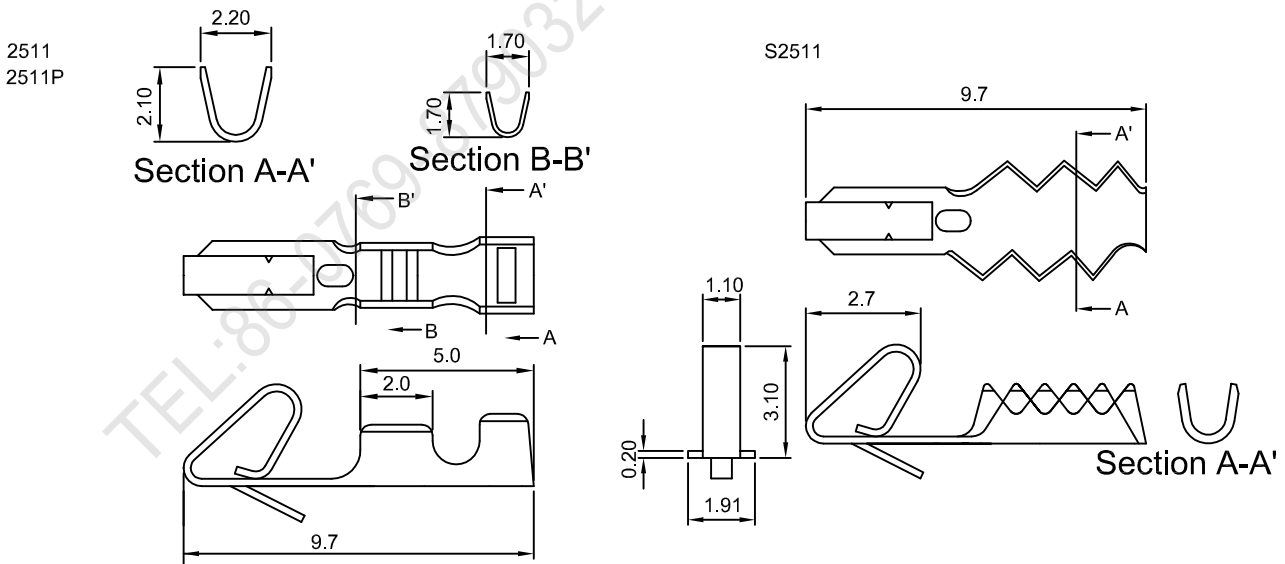
PART NO.	A	B	PART NO.	A	B
2510- 02	5.68	2.54	2510- 11		
2510- 02E			2510- 11E	28.54	25.40
2510- 03	8.22	5.08	2510- 12		
2510- 03E			2510- 12E	31.08	27.94
2510- 04	10.76	7.62	2510- 13		
2510- 04E			2510- 13E	33.62	30.48
2510- 05	13.30	10.16	2510- 14		
2510- 05E			2510- 14E	36.16	33.02
2510- 06	15.84	12.70	2510- 15		
2510- 06E			2510- 15E	38.70	35.56
2510- 07	18.38	15.24	2510- 16		
2510- 07E			2510- 16E	41.24	38.10
2510- 08	20.92	17.78	2510- 17		
2510- 08E			2510- 17E	43.78	40.64
2510- 09	23.46	20.32	2510- 18		
2510- 09E			2510- 18E	46.32	43.18
2510- 10	26.00	22.86	2510- 19		
2510- 10E			2510- 19E	48.86	45.72
			2510- 20		
			2510- 20E	51.40	48.28

2511 S2511 2.54mm PITCH CRIMP TERMINAL

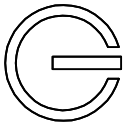
Features:

THICKNESS: 0.2mm
 MAT'L: PHOSPHOR BRONZE & BRASS TIN PLATED
 MATES WITH : 2510 SERIES HOUSING
 ACCEPTS WITH : 2600PS & 2600PR SERIES WAFER
 ACCEPTS WITH 0.64mm(.025") SQUARE PIN

unit:mm



Part No	Wire Range	Insulation O.D.	Material	Finish	Qty/reel
2511	AWG #22-28	ø1.5mm max	BRASS	Tin-plated	10,000
2511-P	AWG #22-28	ø1.5mm max	PHOSPHOR BRONZE	Tin-plated	10,000
S2511	AWG #22-28	ø1.5mm max	BRASS	Tin-plated	10,000

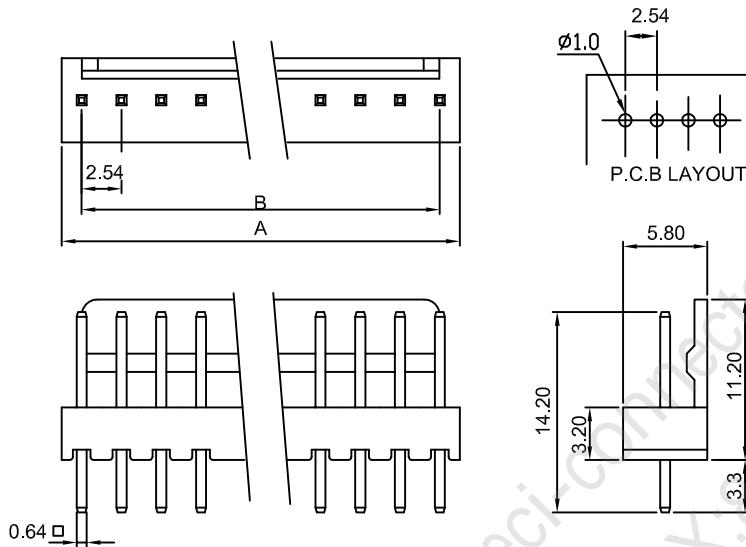


2600PS 2.54mm PITCH 180° WAFER

Features:

MAT'L: BODY: NYLON 66 UL94V-2
 PINS: BRASS TIN PLATED
 MATES WITH: 2511 SERIES TERMINAL
 ACCEPTS WITH: 2510 SERIES HOUSING

unit:mm



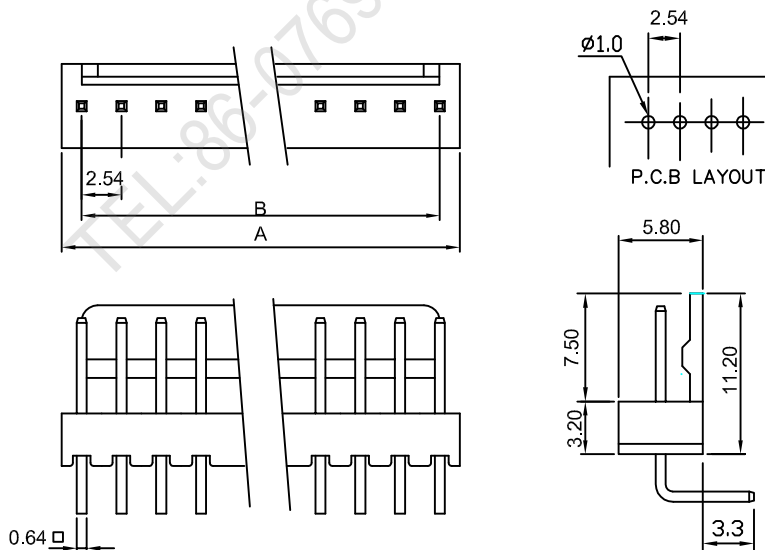
PART NO.	A	B
2600PS- 02	5.08	2.54
2600PS- 03	7.62	5.08
2600PS- 04	10.16	7.62
2600PS- 05	12.70	10.16
2600PS- 06	15.24	12.70
2600PS- 07	17.78	15.24
2600PS- 08	20.32	17.78
2600PS- 09	22.86	20.32
2600PS- 10	25.40	22.86
2600PS- 11	27.94	25.40
2600PS- 12	30.48	27.94
2600PS- 13	33.02	30.48
2600PS- 14	35.56	33.02
2600PS- 15	38.10	35.56
2600PS- 16	40.64	38.10
2600PS- 17	43.18	40.64
2600PS- 18	45.72	43.18
2600PS- 19	48.28	45.72
2600PS- 20	50.80	48.28

2600PR 2.54mm PITCH 90° WAFER

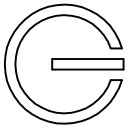
Features:

MAT'L: BODY: NYLON 66 UL94V-2
 PINS: BRASS TIN PLATED
 MATES WITH: 2511 SERIES TERMINAL
 ACCEPTS WITH: 2510 SERIES HOUSING

unit:mm



PART NO.	A	B
2600PR- 02	5.08	2.54
2600PR- 03	7.62	5.08
2600PR- 04	10.16	7.62
2600PR- 05	12.70	10.16
2600PR- 06	15.24	12.70
2600PR- 07	17.78	15.24
2600PR- 08	20.32	17.78
2600PR- 09	22.86	20.32
2600PR- 10	25.40	22.86
2600PR- 11	27.94	25.40
2600PR- 12	30.48	27.94
2600PR- 13	33.02	30.48
2600PR- 14	35.56	33.02
2600PR- 15	38.10	35.56
2600PR- 16	40.64	38.10
2600PR- 17	43.18	40.64
2600PR- 18	45.72	43.18



2510Z SERIES

2.54 mm PITCH WIRE TO BOARD CONNECTOR

● Specifications

Current rating: 3A AC,DC

Voltage rating: 250V AC,DC

Temperature range: -25° C to+85° C
(including temperature rise)

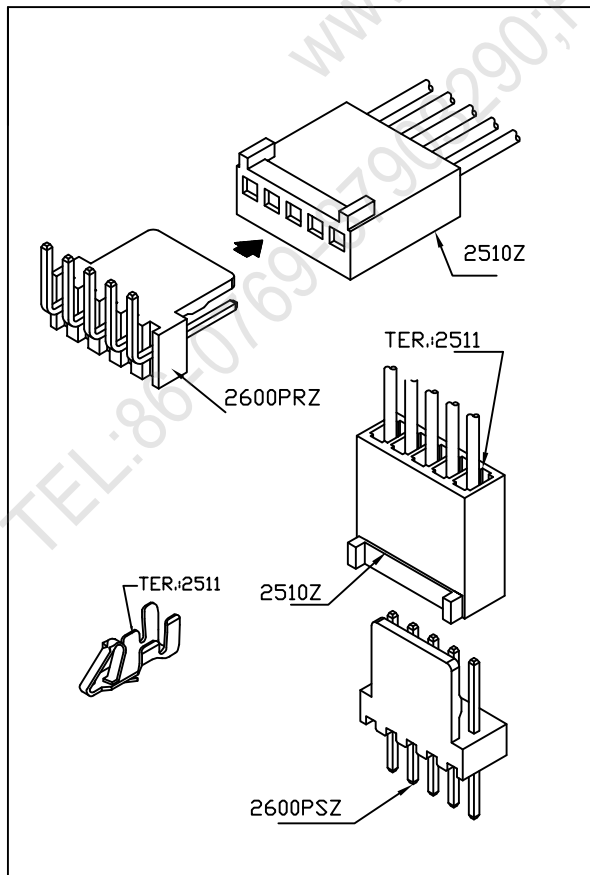
Contact resistance: Initial value/10 m Ω Max.
After environmental testing/20m Ω Max.

Insulation resistance: 1000M Ω MIN.

Withstanding voltage: 1000V AC/minute

Applicable wire: AWG#22-28

● Standards



Assembly layout

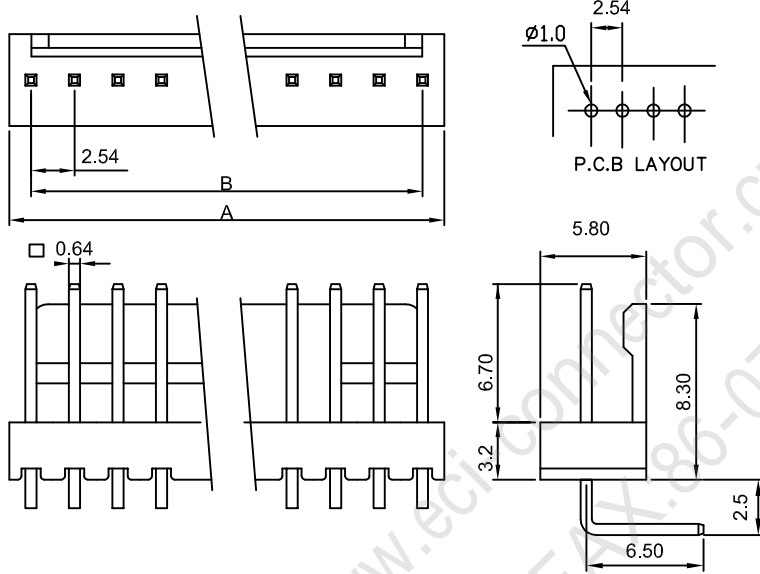


2600PRZ 2.54mm PITCH 90° WAFER

Features:

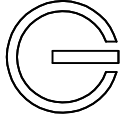
MAT'L: BODY: NYLON 66 UL94V-2
PINS: BRASS TIN PLATED
MATES WITH: 2511 SERIES TERMINAL
ACCEPTS WITH: 2510Z SERIES HOUSING

unit:mm



PART NO.	A	B
2600PRZ- 02	5.08	2.54
2600PRZ- 03	7.62	5.08
2600PRZ- 04	10.16	7.62
2600PRZ- 05	12.70	10.16
2600PRZ- 06	15.24	12.70
2600PRZ- 07	17.78	15.24
2600PRZ- 08	20.32	17.78
2600PRZ- 09	22.86	20.32
2600PRZ- 10	25.40	22.86
2600PRZ- 11	27.94	25.40
2600PRZ- 12	30.48	27.94

www.eci-connector.cn
TEL:86-0769-87903290;FAX:86-0769-87864246



2510Z 2.54mm PITCH CRIMP HOUSING

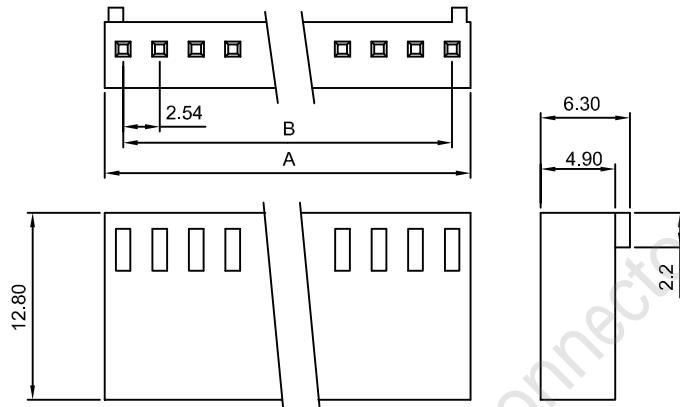
Features:

unit:mm

MAT'L: NYLON 66 UL94V-2

MATES WITH: 2511 & S2511 SERIES TERMINAL

ACCEPTS WITH: 2600PSZ 2600PRZ SERIES WAFER



PART NO.	A	B
2510Z-02	5.68	2.54
2510Z-03	8.22	5.08
2510Z-04	10.76	7.62
2510Z-05	13.30	10.16
2510Z-06	15.84	12.70
2510Z-07	18.38	15.24
2510Z-08	20.92	17.78
2510Z-09	23.46	20.32
2510Z-10	26.00	22.86
2510Z-11	28.54	25.40
2510Z-12	31.08	27.94

2600PSZ 2.54mm PITCH 180° WAFER

Features:

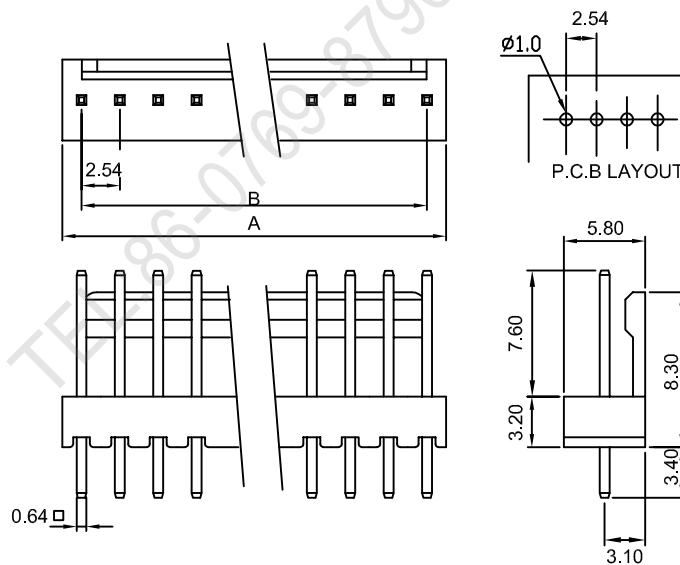
unit:mm

MAT'L: BODY: NYLON 66 UL94V-2

PINS: BRASS TIN PLATED

MATES WITH: 2511 SERIES TERMINAL

ACCEPTS WITH: 2510Z SERIES HOUSING



PART NO.	A	B
2600PSZ- 02	5.08	2.54
2600PSZ- 03	7.62	5.08
2600PSZ- 04	10.16	7.62
2600PSZ- 05	12.70	10.16
2600PSZ- 06	15.24	12.70
2600PSZ- 07	17.78	15.24
2600PSZ- 08	20.32	17.78
2600PSZ- 09	22.86	20.32
2600PSZ- 10	25.40	22.86
2600PSZ- 11	27.94	25.40
2600PSZ- 12	30.48	27.94