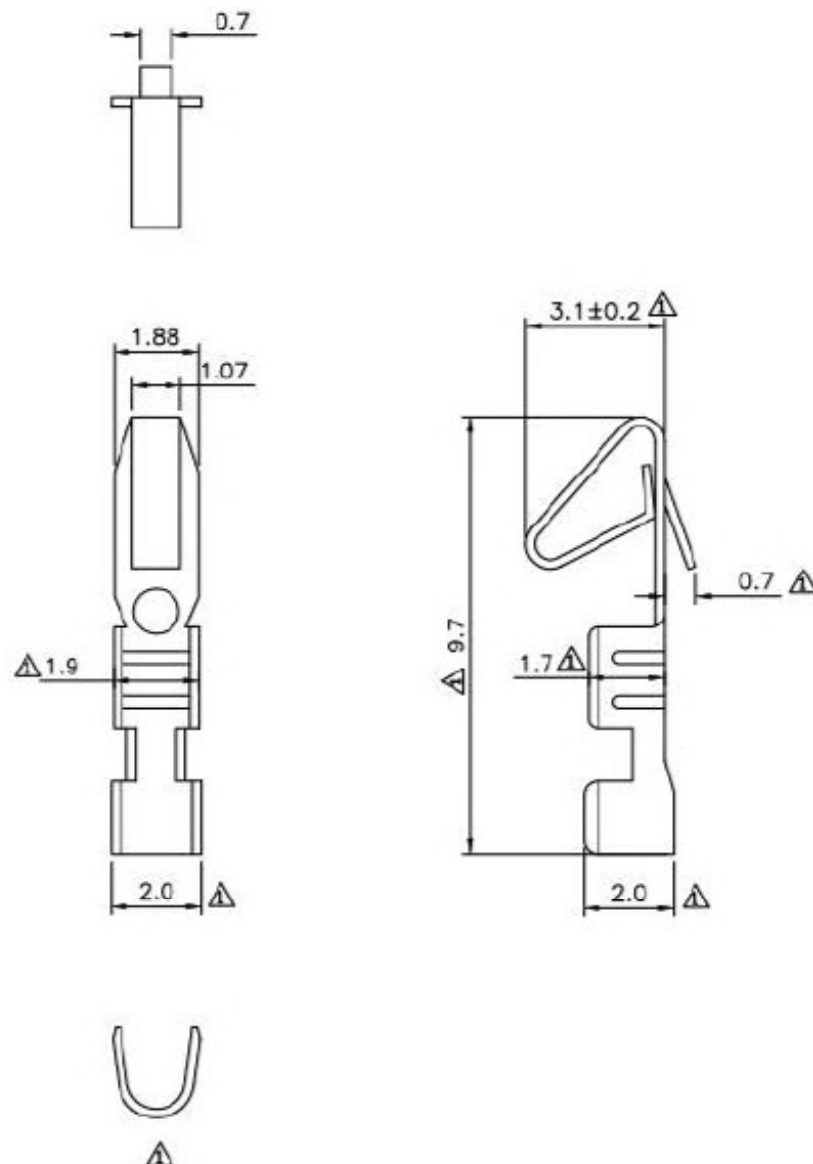


**△ SPECIFICATION**

Applicable Wire:AWG #22~30  
 Material:Brass,Tin Plated  
 Thickness:0.2mm  
 Hardness:SH  
 Q'ty:10000 PCS/Roll  
 RoHS Compliant



DRAWING No.

01993

APPROVED BY

MEI

CHECKED BY

HZF

DRAWING BY

QQJ

UNLESS OTHERWISE SPECIFIED TOLERANCES ARE

.X ±0.38

.XX ±0.25

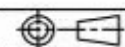
SCALE

NONE

REV.

A1

UNIT mm



NO. REV.

A1 Modify Data

A0 NEW RELEASE

REVISIONS

CHK

HZF

BECKY

03/05/2010

02/14/2006

DATE